

PRODUCT # : CX-DIM-100

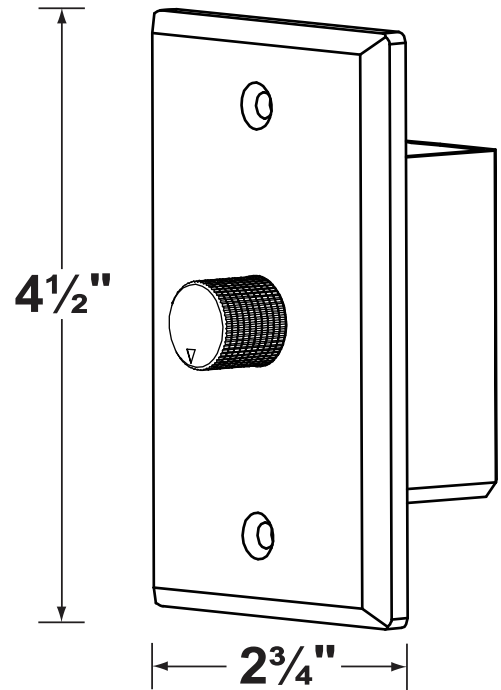
Dimmer Switch Specifications:

Plate Material: Aluminum
Wattage: 100W
Input Voltage: 12-15VAC Volts
Frequency: 50-60Hz
Input Current: 10A Max.
Output Voltage: 4-12VDC
Dimming Mode: Voltage Dimming
Minimum Load: None
IP: 65

• Accessories

Capacity: 10 Amps
Gasket: Silicone gasket for weather-tight protection.
Application: Designed to be installed in single-gang deep junction box on low-voltage side of magnetic transformer.
Included Acc: 1x Weather-tight Gasket x1, 6-32*2 Screws x2, P3 Connector (Wirenuts) x4
Notes: 12-15V low voltage lighting transformer, with deep junction box is required. When installing all power should be switched off. Dimmer range may vary depending on LED source or applied load.
Warranty: Three (3) year warranty on switch against manufacturer's defects.

• Landscape Series



TRANSFORMERS



T-LT75
 75W, 12 & 15V, Single circuit transformer w/ mechanical Timer.



T-TR150
 150W, 12-15V, Single Circuit Transformer



T-TR300
 300W, 12-15V, Single Circuit Transformer



T-MTP900
 900W, 12-22V, Triple Circuit Transformer.

T-TR600
 600W, 12-15V, Dual Circuit Transformer.

JOB INFORMATION

TYPE: _____ **DATE:** _____
JOB NAME & ADDRESS: _____
PRODUCT #: _____
TOTAL QUANTITY: _____
LAMP TYPE & WATTAGE: _____
TRANSFORMER: _____
CONTRACTOR: _____
SPECIFIER: _____

• Corona Lighting reserves the right to make any change and/or improvement to the design and construction of this fixture without further notification.